



OCTA LIGHT BULGARIA JSC

www.octa-light.com
info@octa-light.com



RGL 32 Series

Post LED Luminaires

GUARANTEE / WARRANTY

5 years extended guarantee

HIGHLIGHTS & BENEFITS

- High energy efficiency park and garden LED luminaire
- Delivered system efficiency of 120 lm/W
- No upwards or UV light emission
- High-quality LEDs that deliver bright and even illumination, creating a welcoming ambiance in any outdoor space
- Available in Cool, Neutral & Warm White Color Temperatures
- Constructed with durable materials that can withstand exposure to the elements and resist corrosion
- High ingress protection design, resistant to dust, water, and other environmental factors
- Built to withstand harsh weather conditions, remains functional and reliable for years to come
- Long lifespan up to 70,000 hours, reducing maintenance costs and downtime
- Ideal solution for pathways, walkways, parks, gardens, city centers, living areas and commercial properties

FEATURES

Operating voltage	220 - 240 V AC 50/60 Hz
IP rating	IP66
IK rating	IK08
LED package used	OCTALED
Dimmable	No
LED lifetime	70 000 h L90B10
Color rendering index	Ra>70, Ra>80 (Optional)
SDCM (MacAdam)	<3
Flicker	<5%
Power factor	>0.95
Emergency version	No

ADDITIONAL INFORMATION

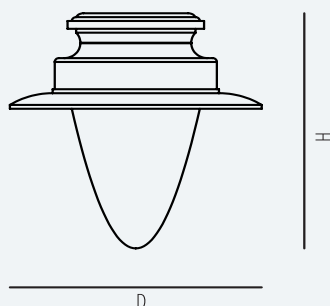
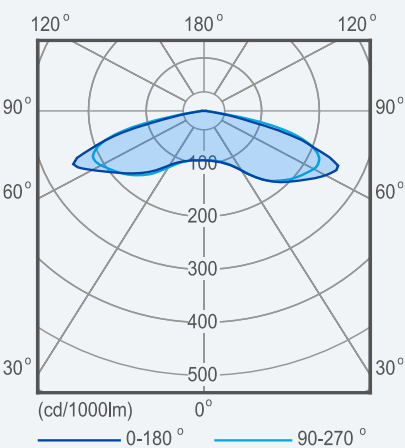
Type of installation	From top
Housing material	Aluminum
Optical system	Lens + PC cover
Housing color	Black
Operating temperature	-30°C to +50°C
Relative humidity	<90%
Electric class	I

PRODUCT SELECTION

Product order code (OC)	Power	Lumen output			Efficiency *for 840	Input current	Dimensions DxH, mm
		lm CW	lm NW	lm WW			
RGL32ADV0307 CC	30W	3 600	3 600	3 240	120 lm/W	138 mA	Ø590x899
RGL32ADV0407 CC	40W	4 800	4 800	4 320	120 lm/W	184 mA	Ø590x899
RGL32ADV0607 CC	60W	7 200	7 200	6 480	120 lm/W	275 mA	Ø590x899
RGL32ADV0807 CC	80W	9 600	9 600	8 640	120 lm/W	367 mA	Ø590x899
RGL32ADV1007 CC	100W	12 000	12 000	10 800	120 lm/W	458 mA	Ø590x899

COLOR TEMPERATURE SELECTION

Correlated color temperatures CC		
3000 K	30 Warm White	WW
4000 K	40 Neutral White	NW
5700 K	57 Cool White	CW



LED DRIVERS

Standard LED Driver	Premium constant current LED driver
---------------------	-------------------------------------

WIRING INFORMATION

Cable/Flying Lead	None
Type of wiring required	Parallel to mains supply voltage

Octa Light Bulgaria is a completely vertically integrated manufacturer of LED packages, LED modules, LED lamps and LED luminaires. The company was established in 2010 as the first Light Emitting Diodes (LED) manufacturer with production based entirely in the EU. Company's LED portfolio includes powerful high-brightness light emitting diodes, last generation of low-power & mid-power LEDs, wide range of COBs, and innovative AC LED modules, as well as special application LEDs. We are constantly expanding our LEDs range to bring highest performance and quality of light sources. Our business scope includes OEM and ODM supply of LED packages, LED engines, luminaires and lamps.

Octa Light Bulgaria offers also complete lighting solutions accomplishing variety of lighting projects with own range of luminaires. Further to its core lighting business the company offers Contract Electronics Manufacturing /CEM/ for key industries.