



OCTA LIGHT®
OCTA LIGHT INTERNATIONAL S.J.S.C.
www.octa-light.com
info@octa-light.com

















GUARANTEE / WARRANTY
5 years extended guarantee

- HIGHLIGHTS & BENEFITS**
- Energy-efficient recess-mount LED downlight fixture
 - Delivered system efficiency of 125 lm/W
 - Wide range of sizes to fit any room
 - No UV light emission, no mercury
 - Available in Cool, Neutral & Warm White Color Temperatures
 - High color rendering, making colors appear more vibrant and accurate
 - Deep baffle design that reduces glare and improves the quality of light distribution
 - Maintenance free, reducing operating costs and ensuring a long lifespan
 - High output luminaire, providing ample illumination for large spaces
 - Modern design that complements any interior style
 - Ideal solution for general and accent interior lighting applications

ESTRELLA V Series

Recessed Mounted Fixed Round LED Downlights

FEATURES	
Operating voltage	200 - 240 V AC 50/60 Hz
IP rating	IP20
IK rating	IK02
LED package used	OCTALED
Dimmable	No
LED lifetime	70 000 h L90B10
Color rendering index	Ra>80
SDCM (MacAdam)	<3
Flicker	<5%
Power factor	>0.95
Emergency version	Yes 3 hours or CBS (optional)
Options and accessories	3HR, CBS, MRR, SBR

ADDITIONAL INFORMATION	
Type of installation	Recessed
Housing material	Aluminum heatsink
Optical system	Mirror or sandblasted reflector
Housing color	White
Operating temperature	-20°C to +45°C
Relative humidity	<70%
Electric class	I

PRODUCT SELECTION

Product order code (OC)	Power	Lumen output			Efficiency *for 840	Input current	Dimensions DxH, mm
		lm CW	lm NW	lm WW			
ESTV140015Y8 CC	15W	1,875	1,875	1,688	125 lm/W	69 mA	Ø140x129
ESTV140020Y8 CC	20W	2,500	2,500	2,250	125 lm/W	92 mA	Ø140x129
ESTV140025Y8 CC	25W	3,125	3,125	2,813	125 lm/W	115 mA	Ø140x129
ESTV140030Y8 CC	30W	3,750	3,750	3,375	125 lm/W	138 mA	Ø140x129
ESTV140035Y8 CC	35W	4,375	4,375	3,938	125 lm/W	161 mA	Ø140x150
ESTV140040Y8 CC	40W	5,000	5,000	4,500	125 lm/W	184 mA	Ø140x150
ESTV140055Y8 CC	55W	6,875	6,875	6,188	125 lm/W	252 mA	Ø140x164
ESTV170015Y8 CC	15W	1,875	1,875	1,688	125 lm/W	69 mA	Ø170x140
ESTV170020Y8 CC	20W	2,500	2,500	2,250	125 lm/W	92 mA	Ø170x140
ESTV170025Y8 CC	25W	3,125	3,125	2,813	125 lm/W	115 mA	Ø170x140
ESTV170030Y8 CC	30W	3,750	3,750	3,375	125 lm/W	138 mA	Ø170x140
ESTV170035Y8 CC	35W	4,375	4,375	3,938	125 lm/W	161 mA	Ø170x160
ESTV170040Y8 CC	45W	5,625	5,625	5,063	125 lm/W	206 mA	Ø170x160
ESTV170055Y8 CC	55W	6,875	6,875	6,188	125 lm/W	252 mA	Ø170x175
ESTV190022Y8 CC	22W	2,750	2,750	2,475	125 lm/W	101 mA	Ø190x153
ESTV190028Y8 CC	28W	3,500	3,500	3,150	125 lm/W	129 mA	Ø190x153
ESTV190038Y8 CC	38W	4,750	4,750	4,275	125 lm/W	174 mA	Ø190x168
ESTV190050Y8 CC	50W	6,250	6,250	5,625	125 lm/W	229 mA	Ø190x188
ESTV190060Y8 CC	60W	7,500	7,500	6,750	125 lm/W	275 mA	Ø190x208
ESTV190070Y8 CC	70W	8,750	8,750	7,875	125 lm/W	321 mA	Ø190x208
ESTV190080Y8 CC	80W	10,000	10,000	9,000	125 lm/W	367 mA	Ø190x223
ESTV230022Y8 CC	22W	2,750	2,750	2,475	125 lm/W	101 mA	Ø230x157
ESTV230028Y8 CC	28W	3,500	3,500	3,150	125 lm/W	129 mA	Ø230x157
ESTV230038Y8 CC	38W	4,750	4,750	4,275	125 lm/W	174 mA	Ø230x172
ESTV230050Y8 CC	50W	6,250	6,250	5,625	125 lm/W	229 mA	Ø230x192
ESTV230060Y8 CC	60W	7,500	7,500	6,750	125 lm/W	275 mA	Ø230x212
ESTV230070Y8 CC	70W	8,750	8,750	7,875	125 lm/W	321 mA	Ø230x212
ESTV230080Y8 CC	80W	10,000	10,000	9,000	125 lm/W	367 mA	Ø230x227
ESTV230100Y8 CC	100W	12,500	12,500	11,250	125 lm/W	458 mA	Ø230x267
ESTV280022Y8 CC	22W	2,750	2,750	2,475	125 lm/W	101 mA	Ø280x188
ESTV280028Y8 CC	28W	3,500	3,500	3,150	125 lm/W	129 mA	Ø280x188
ESTV280038Y8 CC	38W	4,750	4,750	4,275	125 lm/W	174 mA	Ø280x203
ESTV280050Y8 CC	50W	6,250	6,250	5,625	125 lm/W	229 mA	Ø280x223
ESTV280060Y8 CC	60W	7,500	7,500	6,750	125 lm/W	275 mA	Ø280x243
ESTV280070Y8 CC	70W	8,750	8,750	7,875	125 lm/W	321 mA	Ø280x243
ESTV280080Y8 CC	80W	10,000	10,000	9,000	125 lm/W	367 mA	Ø280x258
ESTV280100Y8 CC	100W	12,500	12,500	11,250	125 lm/W	458 mA	Ø280x298

COLOR TEMPERATURE SELECTION

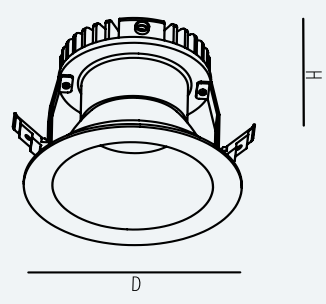
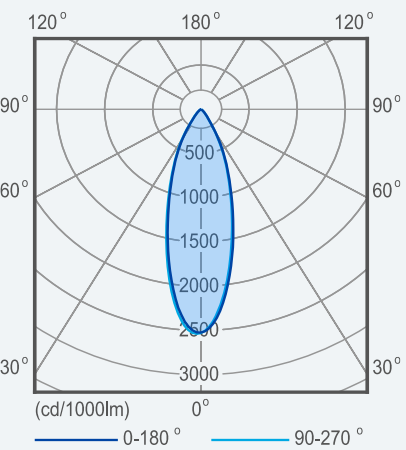
Correlated color temperatures CC			
3000 K	30	Warm White	WW
4000 K	40	Neutral White	NW
5000 K	50	Cool White	CW

Optics:

Code Y	Beam angle
015	Beam angle 15°
024	Beam angle 24°
025	Beam angle 25°
030	Beam angle 30°
032	Beam angle 32°
036	Beam angle 36°
040	Beam angle 40°
045	Beam angle 45°
050	Beam angle 50°
055	Beam angle 55°
065	Beam angle 65°
070	Beam angle 70°
080	Beam angle 80°

Options and accessories

Suffix to OC	Description
3HR	3 hours battery pack
CBS	Addr.mod.for central battery system
MRR	Mirror reflector
SBR	Sandblasted reflector



LED DRIVERS

Standard LED Driver	Premium constant current LED driver
---------------------	-------------------------------------

WIRING INFORMATION

Cable/Flying Lead	None
Type of wiring required	Parallel to mains supply voltage

Octa Light International is a completely vertically integrated manufacturer of LED packages, LED modules, LED lamps and LED luminaires. The company was established in 2010 as the first Light Emitting Diodes (LED) manufacturer with production based entirely in the EU. Company's LED portfolio includes powerful high-brightness light emitting diodes, last generation of low-power & mid-power LEDs, wide range of COBs, and innovative AC LED modules, as well as special application LEDs. We are constantly expanding our LEDs range to bring highest performance and quality of light sources. Our business scope includes OEM and ODM supply of LED packages, LED engines, luminaires and lamps.

Octa Light International offers also complete lighting solutions accomplishing variety of lighting projects with own range of luminaires. Further to its core lighting business the company offers Contract Electronics Manufacturing /CEM/ for key industries.